

The Japan International Welding Show 2010



DATE **April 21 – 24**

VENUE **Tokyo Big Sight**



EXHIBITOR PROSPECTUS

Think Future, Act Now!
Gateway to a Great Success in Asia

www.weldingshow.jp



The Japan Welding Engineering Society



Sanpo Publications Incorporated

The Japan International Welding Show 2010

Japan International Welding Show 2010 will take place in Tokyo Big Sight, Japan from April 21 to 24, 2010.

This is the 21th time since the first show was held. As already well known, it has been every other year in Tokyo and Osaka in the history of 41 years corresponding with the industrial needs of each time. So far it has played an important role to take the initiative of innovation based on adamant requests from various industries. It is now globally accepted as the most exciting and hottest exposition to collectively showcase the cutting-edge product technologies and services from welding and cutting to laser processing, micro joining, powder process, surfacing, NDT and CAD/CAM/CIM's. This show has thus been receiving worldwide appreciation as a significant professional exhibition in metal-working field together with Essen Welding Fair in Germany and AWS Welding Show in the U.S.

Welding industry is now globally facing the time to establish a new stage of manufacturing making full use of highly advanced technologies such as digital computers, robots, and Laser. Also, the industry is fired up by those fast growing and promising market in Asia. Reflecting these situations we set the expo's main theme as "Think Future, Act Now! Gateway to a Great Success in Asia" Hopefully we expect that it will be the best show to introduce your advanced products and technologies to stimulate not only Japanese but also Asian market.

We hereby cordially request and heartily welcome to join us at the Japan International Welding Show 2010, Tokyo.

The Japan Welding Engineering Society
Sanpo Publications Incorporated



Think Future,

Outline of the Japan International Welding Show 2010

Event Name :

Japan International Welding Show 2010

Date :

April 21(wed.) - April 24(Sat.)

Venue :

Tokyo Big Sight

Organizer:

The Japan Welding Engineering Society
Sanpo Publications Incorporated

Show Theme :

Think Future, Act Now!
Gateway to a Great Success in Asia

Supporting Organizations(Planned) :

Japan Welding Society
Japanese Society for Non-destructive Inspection
High Pressure Institute of Japan
The Japan Light Metal Welding and Construction Association
Japan Welding Rods Association
Japan Thermal Spraying Society
Japan Robot Association
Laser Processing Society
Japan Pressure Welding Society

Exhibits and Live Demonstration:

Arc Welding, Resistance Welding, pressure Welding, Friction stir Welding, Welding Robots, Laser Beam Process, Micro-joining, Welding jigs, Brazing, Cutting, Non-destructive Inspection, Welding Materials, High Pressure Gas, Thermal Spraying, Surface Modification, Safety/hygiene, Environmental Equipment, Computer System, Books, Software, Others

Admission fee :

¥1,000.-

Management Office:

Sanpo Publications, Inc.

Tel : +81-3-3258-6411 Fax : +81-3-3258-6430

Address:

1-11, Kanda Sakuma-cho Chiyoda-ku, Tokyo 101-0025

E-mail : info@weldingshow.jp



Exhibit Fee (Tax included)

Shell Scheme Package Booth

● **Early Bird Rates (Before Sep. 11, 2009)**

- ¥ 383,250.- for one-booth
- ¥ 745,500.- for two-booths
- ¥ 1,097,250.- for three-booths

● **Standard Rates (After Sep. 12, 2009)**

- ¥ 404,250.- for one-booth
- ¥ 787,500.- for two-booths
- ¥ 1,160,000.- for three-booths

1 booth size: 3.0 m(W)× 3.0 m(D)× 2.7 m(H)

Ready-made booth system, each shell scheme package booth, is available upon request for one booth or more. Particularly convenient for overseas Exhibitors. This system is provided with the minimum necessary facilities such as floor carpet, furniture lighting facilities and fascia for company's name.

Basic Unit Space Only

● **Early Bird Rates (Before Sep. 11, 2009)**

¥ 315,000.-

● **Standard Rates (After Sep. 12, 2009)**

¥ 336,000.-

1 booth size: 3.0 m(W)× 3.0 m(D)× 2.7 m(H)

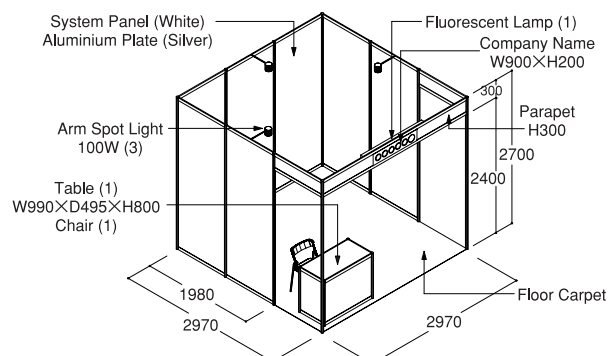
NOTE:

Main and secondary wiring work fee

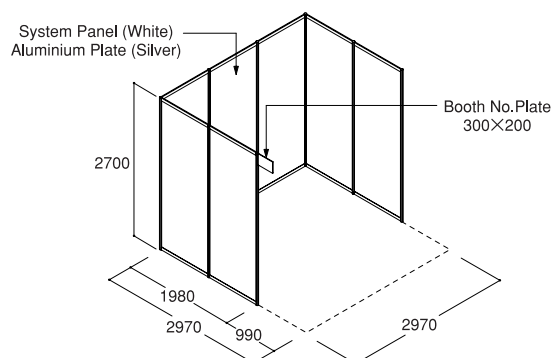
Wiring of electric power shall be stretched from the main line to each booth. The fee for the main and secondary wiring works shall be charged.

Power consumption fee

Power consumption fee shall be paid by the exhibitor according to the power-charge system of the venue Tokyo Big Sight.



Shell Scheme Package Booth
Additional Furnitures Available (Charged)



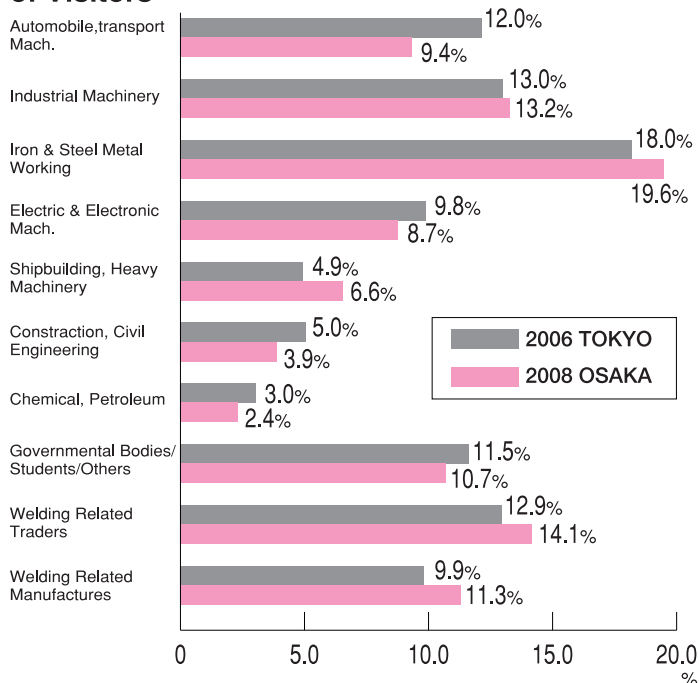
Basic Unit Space
Space Fee Include Above Items

The early bird rates is applied to applicants who are registering before **September.11, 2009 Friday**

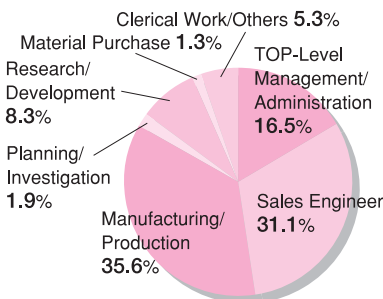
Deadline for application **December 11, 2009 Friday**

STATISTICS

Classified by Field of Industry of Visitors



Classified by Job Title of Visitors



Record of Previous Show

	2006 TOKYO	2008 OSAKA
Total Area	21,515m ²	21,353m ²
Number of Exhibitors	226 (incl. Overseas Exhibitors from 16 countries)	207 (incl. Overseas Exhibitors from 12 countries)
Number of Visitors	101,029 (incl. Overseas visitors)	100,799 (incl. Overseas visitors)

Analysis of Visitors' Interest

	2008 OSAKA
Arc welding equipment	16.4%
Resistance welding equipment	7.4%
Industrial robot	13.2%
Laser beam process equipment	12.7%
Pressure welding equipment	2.7%
Welding jigs	8.9%
Brazing equipment	3.1%
Cutting equipment	6.0%
Safety/hygiene equipment	4.5%
Non-destructive inspection	4.1%
Welding materials	8.2%
High pressure gas	2.6%
Thermal spraying equipment	2.2%
Environmental equipment	4.8%
Others	3.2%

APPLICATIONS

Application and booking of booths

Application for booth shall be made by returning the enclosed application form to the Management Office by mail or fax. All information is to be completed in blank space provided.

Payment of the booth fee

Booth fee shall be transfer to the Management Office in currency of Japanese yen. Total fee shall be paid within 30 days upon application.

Cancellation policy

In case of cancellation before December 11, 2009, 50% of space fee is levied to the Management Office and 100% of space fee is levied after December 11, 2009. If exhibitor fails to commerce use of the allocated booths by April 20, 2010, exhibitor will forfeit the right to use booth.

Schedule of Events Leading Up to the show

Fri.,Sept.11 **Deadline for early bird rates applications**

Fri.,Dec.11. 2009. **Deadline for exhibition applications**

Mon.,Apr.19 - Tues.,20. 2010. **Move-in**

Wed.,Apr.21- Sat.,24 **Show Hours 10:00-17:00**

Sat.,Apr.24-Sun.,25 **Move-out**

*Schedule is subject to change.

Management Office

Sanpo Publications, Inc.

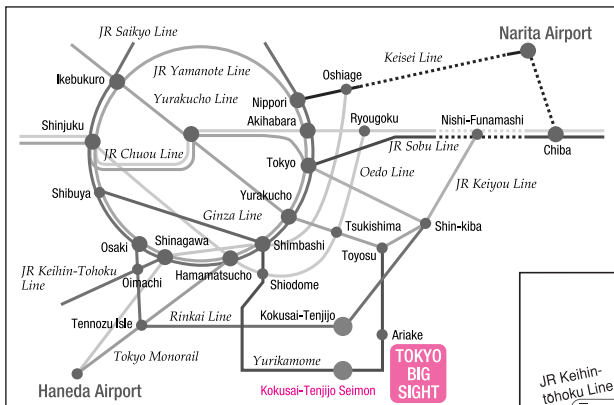
Tel : 81-3-3258-6411 Fax : 81-3-3258-6430

Address :

1-11, Kanda Sakuma-cho Chiyoda-ku, Tokyo 101-0025

E-mail : info@weldingshow.jp

Access to Tokyo Big Sight



Haneda Airport

Airport Bus
(Limousine Bus, Keihin Kyuko Bus)

About 25 min.

Narita Airport

About 60 min.

Tokyo City
Aerial Terminal

About 20 min.



※Please note that some buses may only be available during times of events being held.

Rinkai Line 7minutes walk from Kokusai-tenjijo Sta.

- Ōsaki(JR) ← 13 minutes → Kokusai-tenjijo
- ← 5 minutes → Shin-kiba (JR, Subway)

※direct service from Ōsaki from Ōmiya on the JR Saikyo Line.

Yurikamome

3 minutes walk from Kokusai-tenjijo-Seimon Sta.

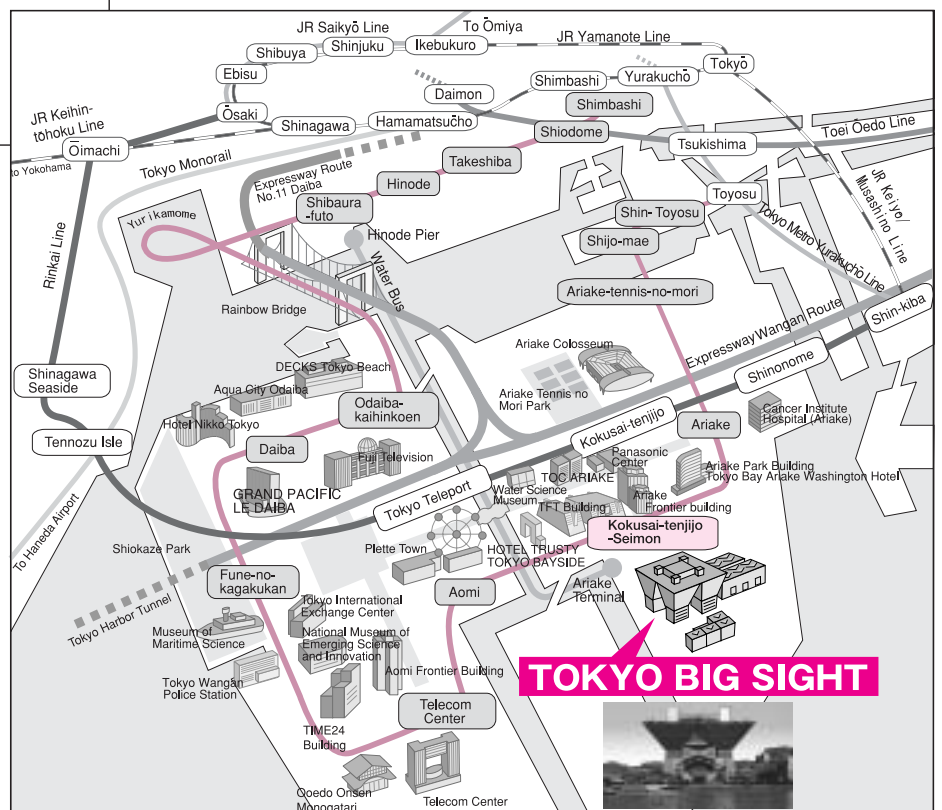
- Shimbashi (JR,Subways) ← 22 minutes → Kokusai-tenjijo Seimon
- Toyosu(Subway) ← 8 minutes → Kokusai-tenjijo Seimon

Water Bus 2 minutes walk from Ariake Terminal

- Hinode Pier (7-minutes walk from JR Hamamatsuchō Sta.) ← 25 minutes → Ariake Terminal

Toei Bus

- Tokyo Sta.Yaesu Exit(JR) ← about 40 minutes → Tokyo Big Sight
- Monzennakachō(Subway) ← about 30 minutes → Tokyo Big Sight
- Hamamatsuchō(JR) ← about 40 minutes → Tokyo Big Sight



Japan International Welding Show 2010

Management Office ▶ **Sanpo Publications, Inc.**

www.sanpo-pub.co.jp

Sanpo Sakuma Bldg. 1-11 Kanda Sakuma-cho Chiyoda-ku, Tokyo, 101-0025, JAPAN

Tel : +81-3-3258-6411 Fax : +81-3-3258-6430

Kansai Branch : Namba Bldg. 2-8-9 Motomachi Naniwa-ku Osaka-shi, Osaka 556-0016 JAPAN

Tel : +81-6-6633-0720 Fax : +81-6-6633-0840